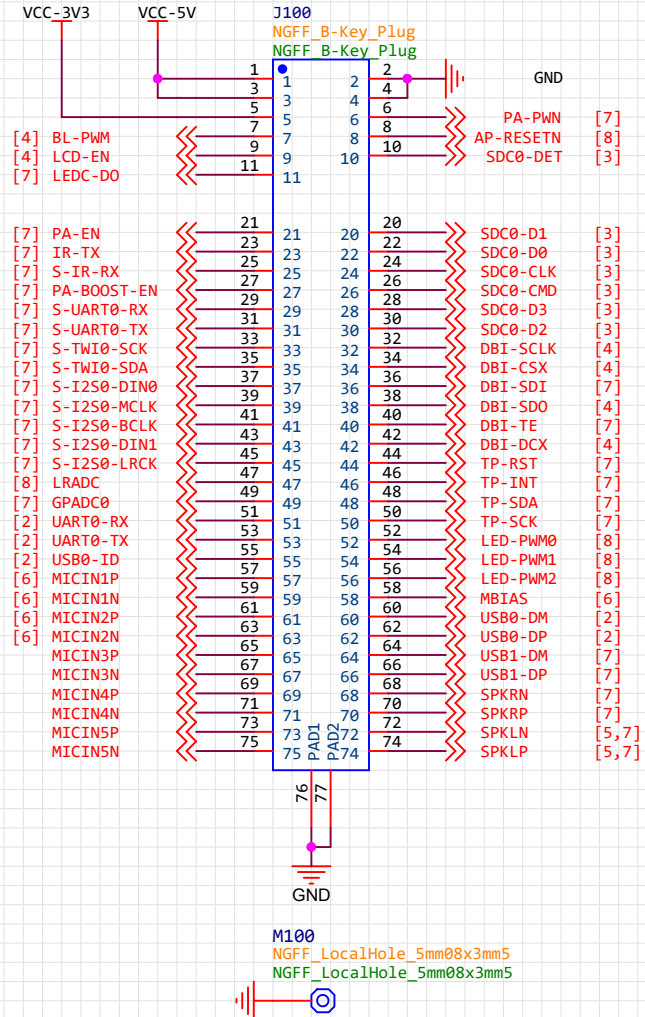
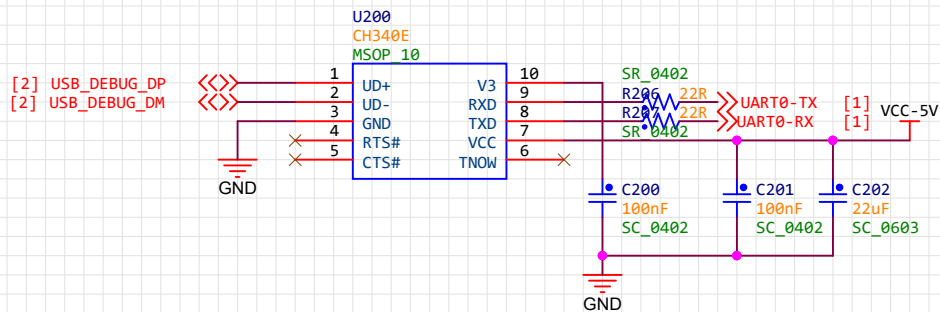
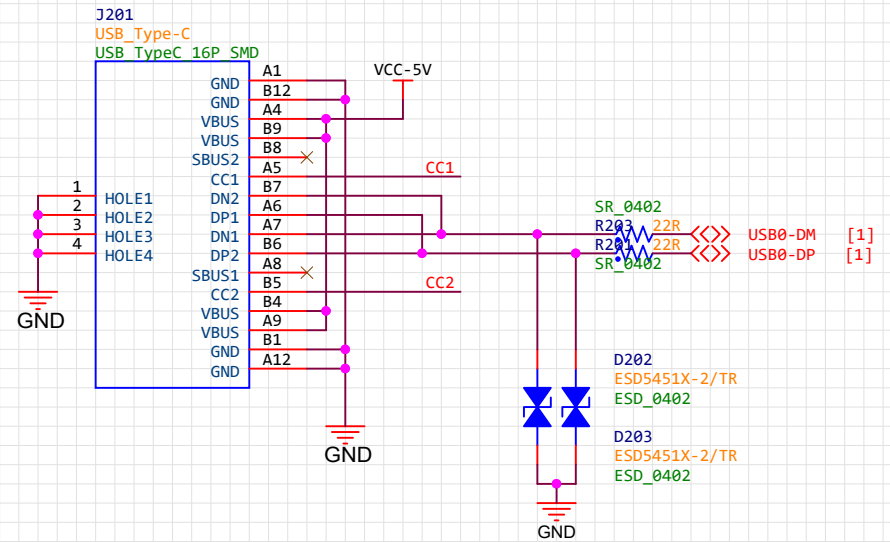
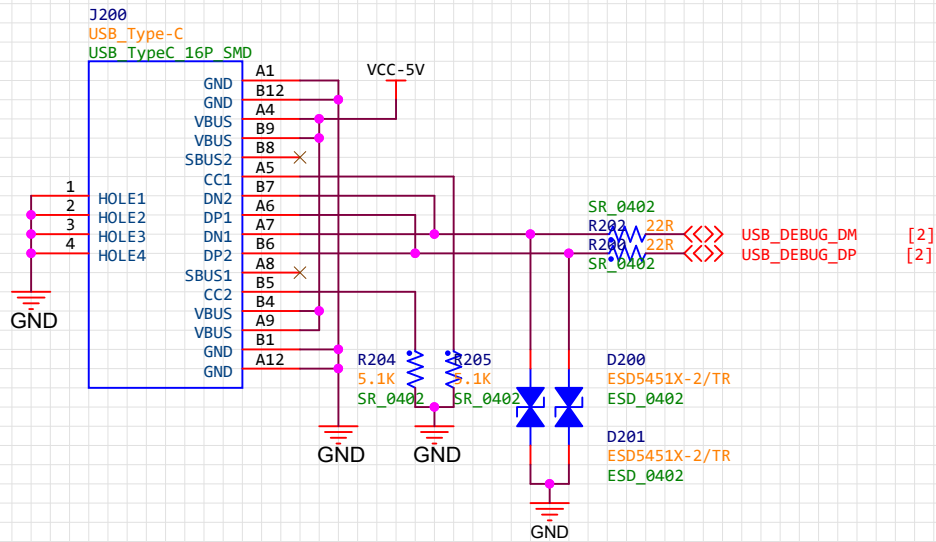


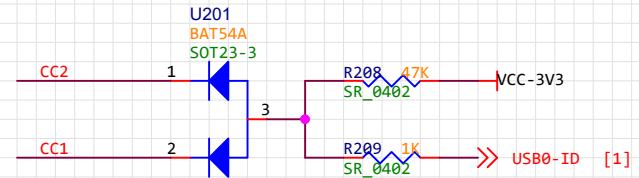
# NGFF



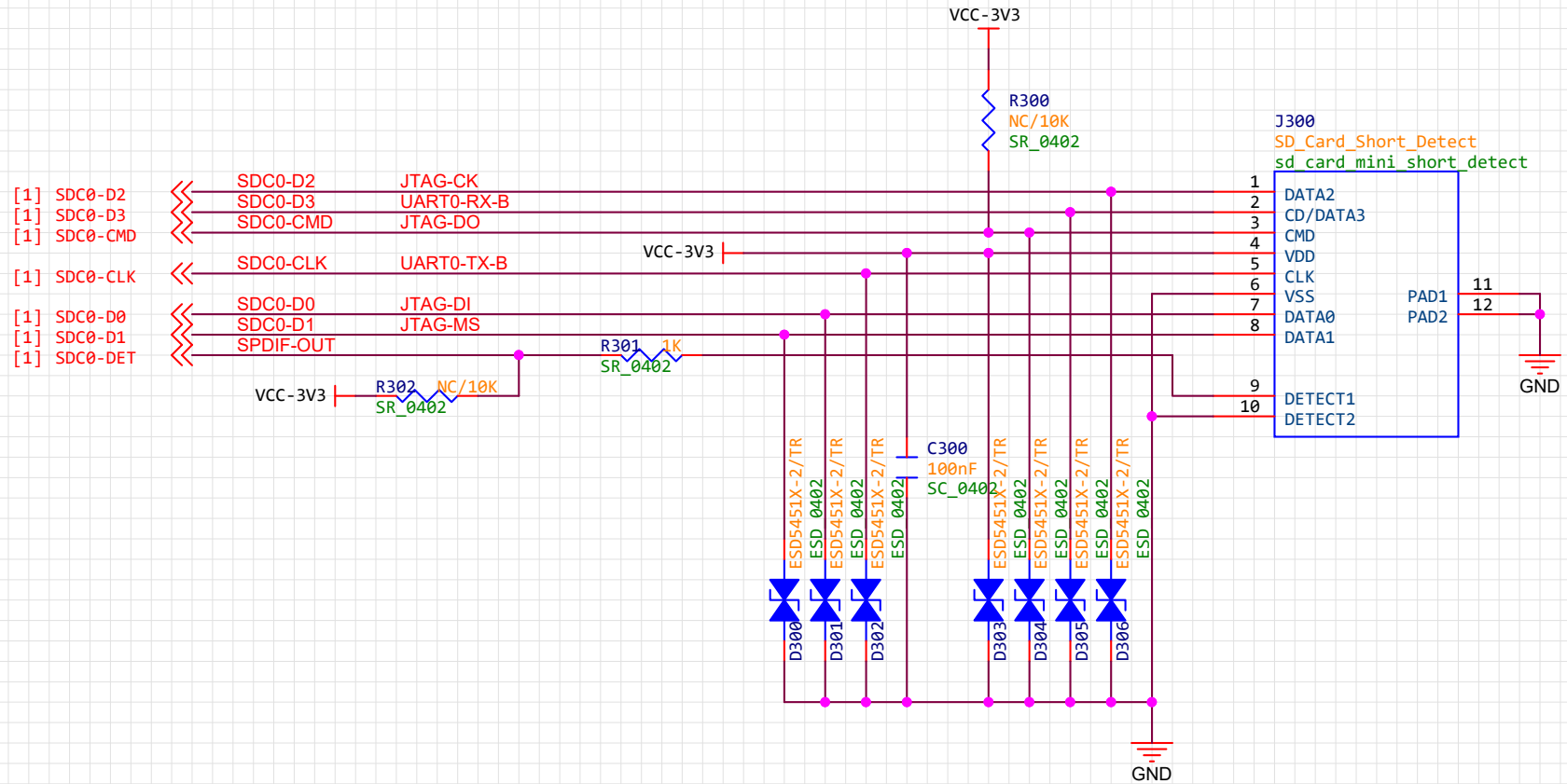
# USB



USB摄像头板CC1、CC2接地。  
 当插入USB摄像头时，USB0-ID被拉低，R329进入主机模式。  
 当插入USB数据线时，USB0-ID被拉高，R329进入从机模式。



# CARD



**Sipeed Technology Co., Ltd**

Design Name

**Sipeed\_M2A\_DOCK**

Size  
A

Page Name

**CARD**

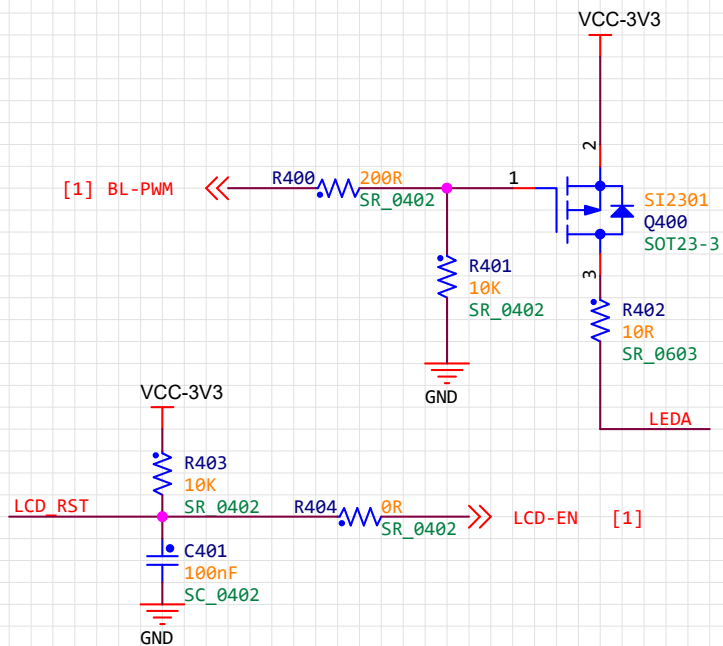
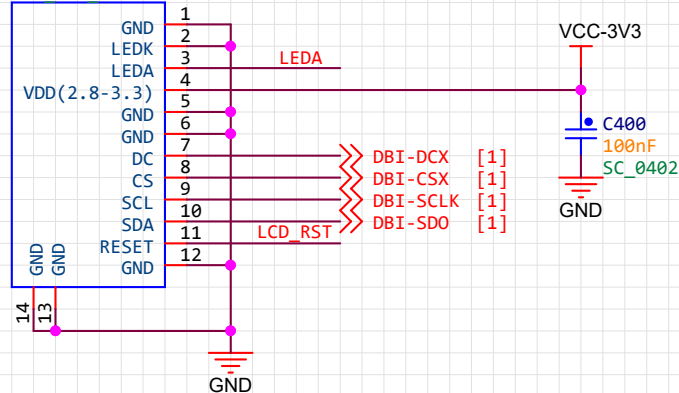
Rev  
<RevCode>

Date: **Thursday, July 15, 2021**

Sheet **3** of **8**

# SPI LCD

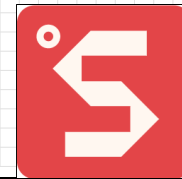
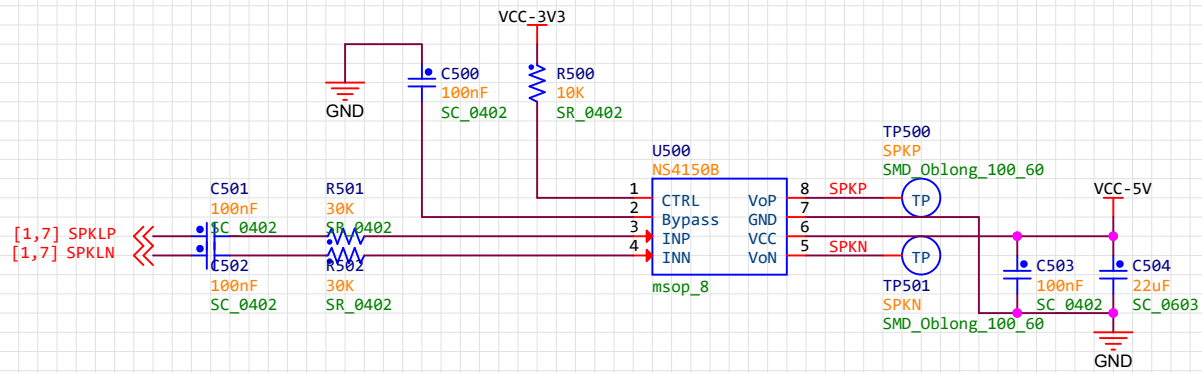
J400  
ZSX154-B1206  
FPC 12P 05



**Sipeed Technology Co., Ltd**

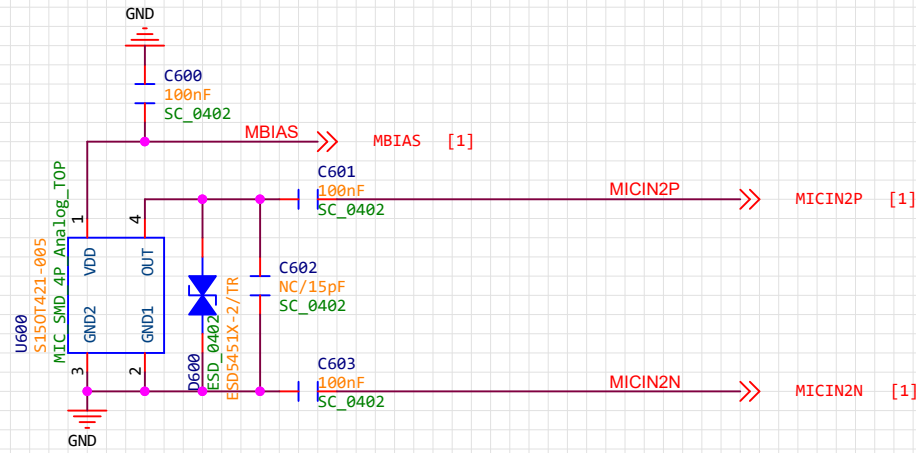
Design Name		<b>Sipeed_M2A DOCK</b>	
Size A	Page Name	LCD	
Date:		Thursday, July 15, 2021	Sheet 4 of 8
		Rev	<RevCode>

PA

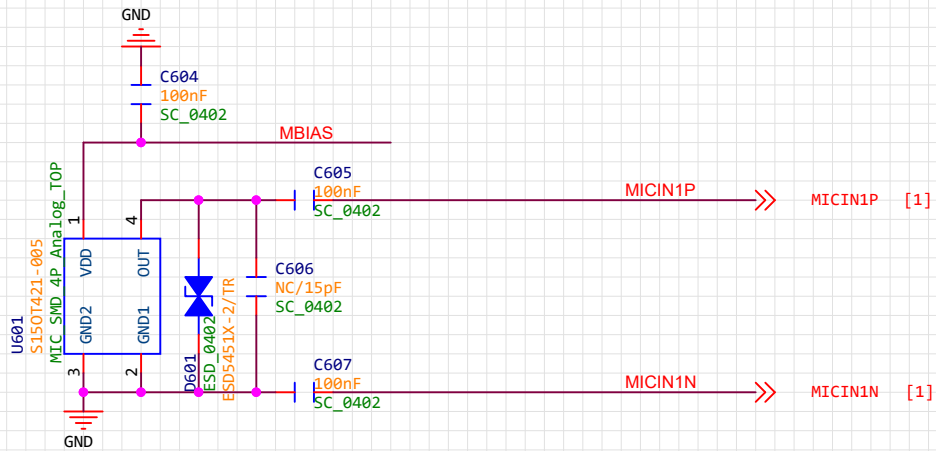


MIC

### Silicon MIC1

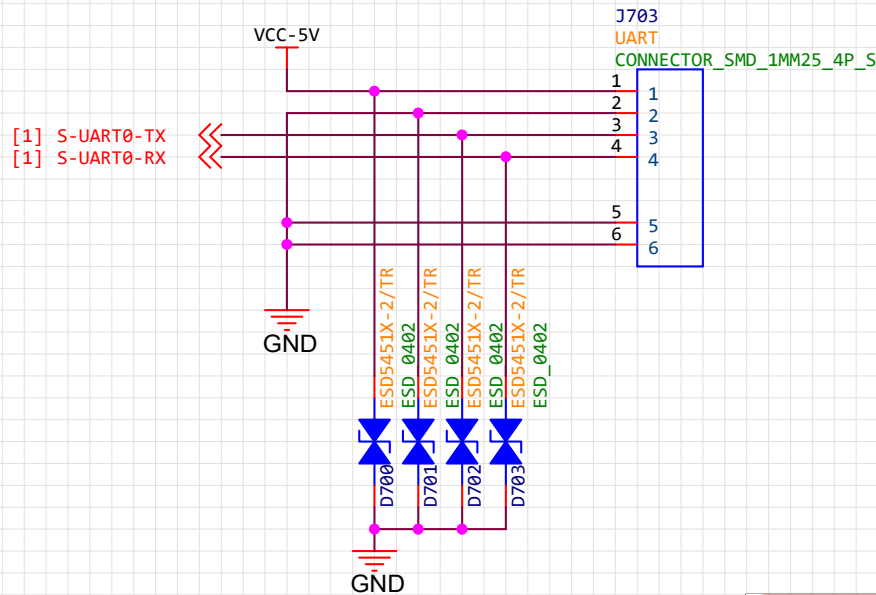
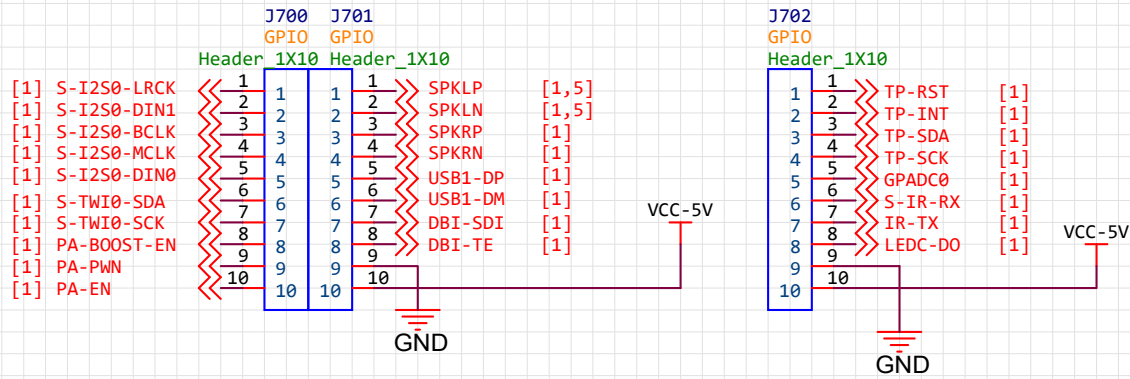


### Silicon MIC2



<b>Sipeed Technology Co., Ltd</b>			
Design Name			
<b>Sipeed_M2A_DOCK</b>			
Size	Page Name	Rev	
A4	MIC	<RevCode>	
Date:	Thursday, July 15, 2021	Sheet	6 of 8

# GPIO



<b>Sipeed Technology Co., Ltd</b>		
Design Name		
<b>Sipeed_M2A_DOCK</b>		
Size	Page Name	Rev
A	<b>GPIO</b>	<RevCode>
Date:	Thursday, July 15, 2021	Sheet 7 of 8

# KEY&LED

